

NUMISIA FREESTANDING ISLAND BATH

FEATURES:

CRISTALPLANT® MATTE WHITE SOLID SURFACE

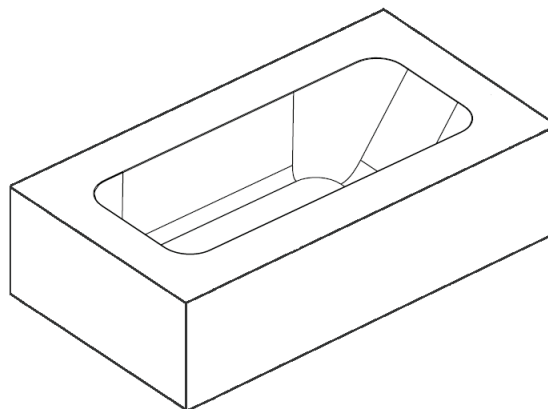
OVERFLOW

200-240 KG

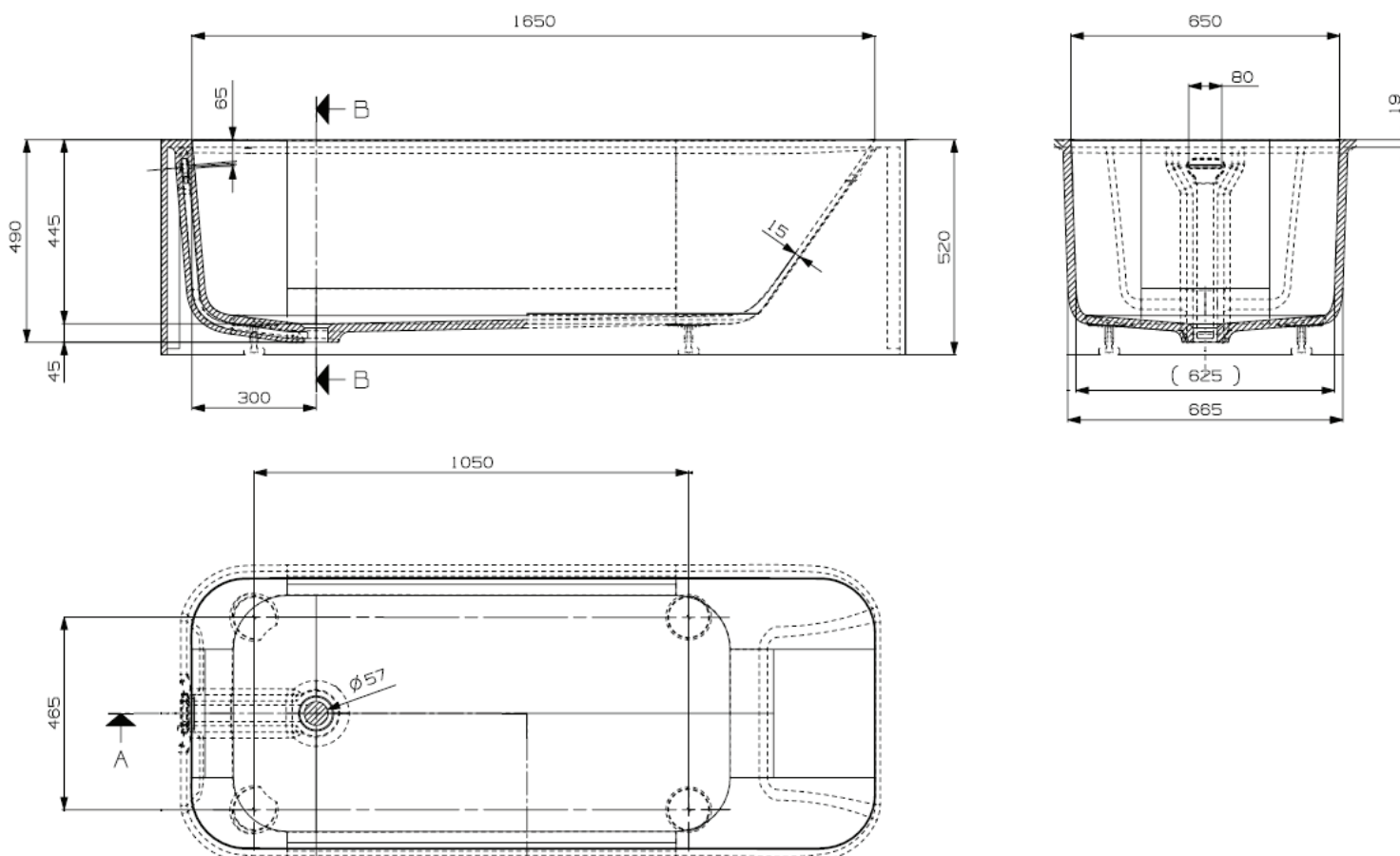
322 LT CAPACITY

MATTE WHITE WASTE INCLUDED

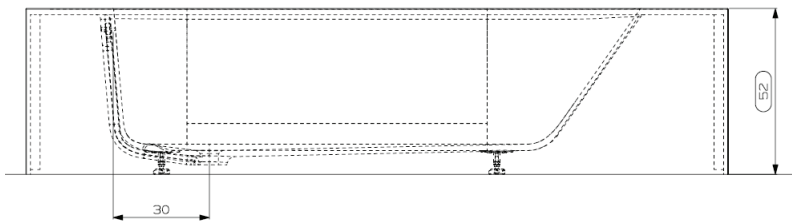
MADE IN ITALY



Numisia bath are made by Cristalplant® following customer's specifications. Cristalplant is an advanced solid surface material: scratch resistant, strongly UV resistant, non-toxic, completely restorable, hypoallergenic with a natural stone feeling at touch. Due the advanced properties of the material, any imperfections can be easily removed with an abrasive sponge. The coloured finish is applied to the external surface of the bath (the surface not in direct contact with water). All Domus Living products are made in Italy.

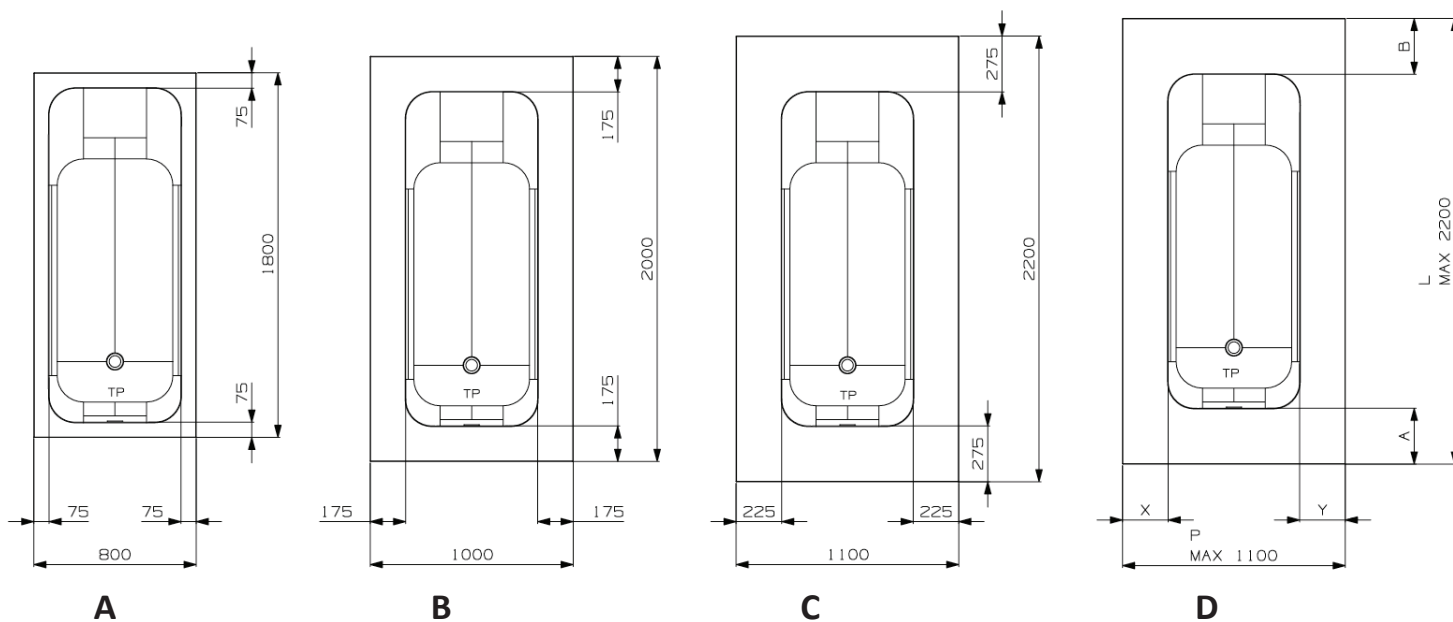
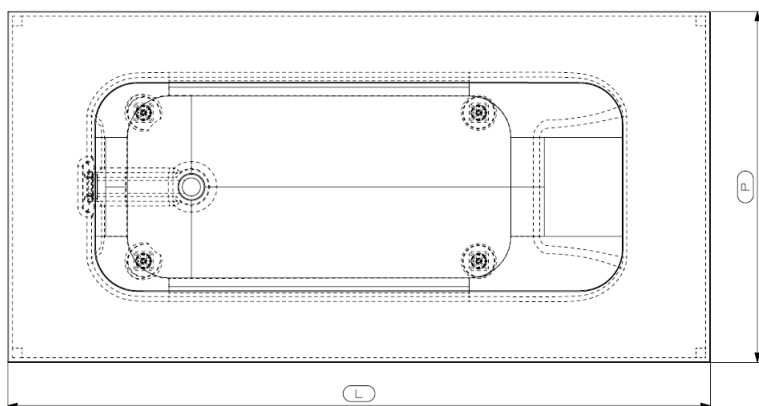


NUMISIA FREESTANDING ISLAND BATH



DIMESIONS:

- 180 (L) X 80 (P)
- 200 (L) X 100 (P)
- 220 (L) X 110 (P)
- CUSTOM (MIN 180 X 90, MAX 220 X 110)



MODEL	CODE	PRICE
(A) FREESTANDING 180X90	DLBTNUFR1800	\$8900
(B) FREESTANDING 200x100	DLBTNUFR2000	\$9100
(C) FREESTANDING 220x110	DLBTNUFR2200	\$9400
(D) FREESTANDING CUSTOM	DLBTNUFR-CUSTOM	\$10100

NUMISA FREESTANDING ORDER FORM

<p style="text-align: center;">NUMISA FREESTANDING BATH ***** MISURE STANDARD - STANDARD SIZE *****</p>	<p style="text-align: center;">***** MISURE PERSONALIZZATE CUSTOMIZED SIZE *****</p> <p style="margin-top: 20px;">L = ----- P = ----- A = ----- X = ----- B = ----- Y = -----</p>	<p>COMPLETE LA SCHEDA CON LE INFORMAZIONI RICHIESTE COMPLETE THE FORM WITH THE INFORMATION REQUIRED</p> <p>CLIENTE/ <i>Client</i> -----</p> <p>RIF. CLIENTE/ <i>Client reference</i> -----</p> <p>N. COMMESSA/ <i>Production order</i> -----</p> <div style="text-align: right; margin-top: 20px;"> </div>